

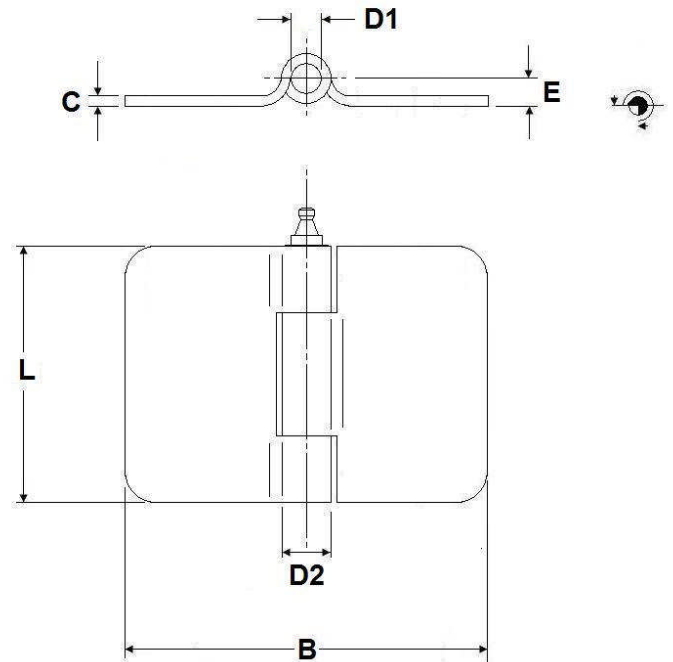
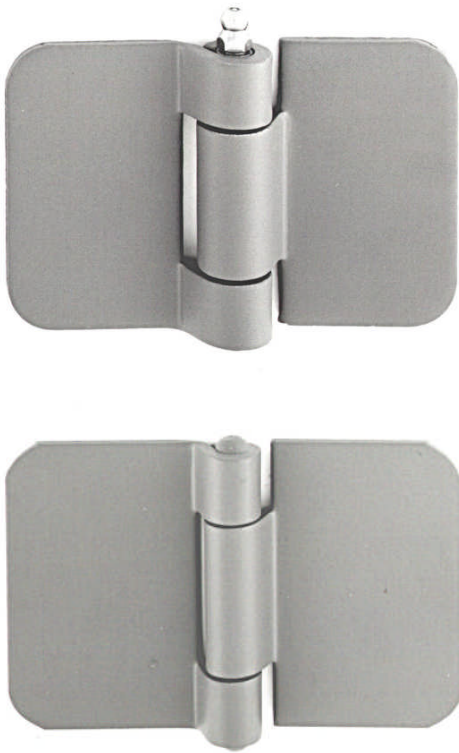


Hinges
Hardware
& Mixers

Code no. 36-000
HEAVY DUTY ROLLED HINGES
with knuckle edge concealed

Options

- Hinge Material steel or stainless steel (ST/ST)
- Pin Material steel or stainless steel



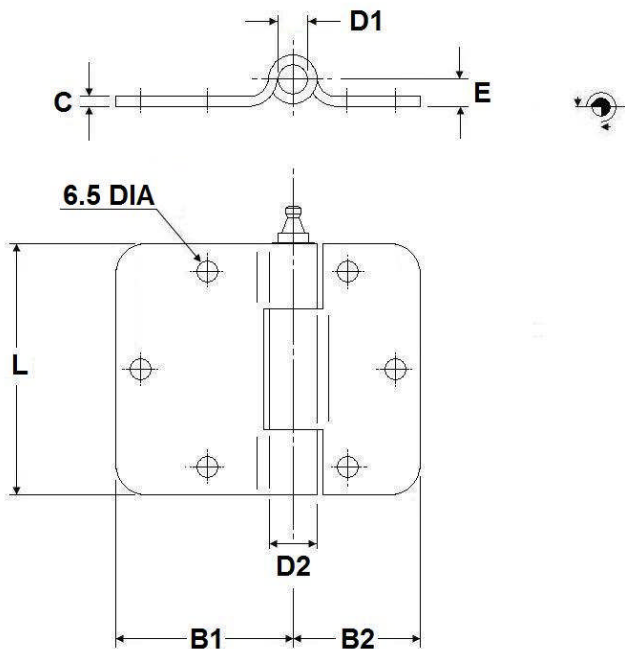
Code	Length = L	Thickness = C	Open width = B	Pin Position = E	Pin dia = D1	Knuckle dia = D2	Hinge Material	Pin Material
36-000A	65	4	100	8.5	8	16	Steel zinc galvanized	Steel
36-000AS	65	3	100	6.5	6	12	ST/ST	ST/ST

Dimensions in mm

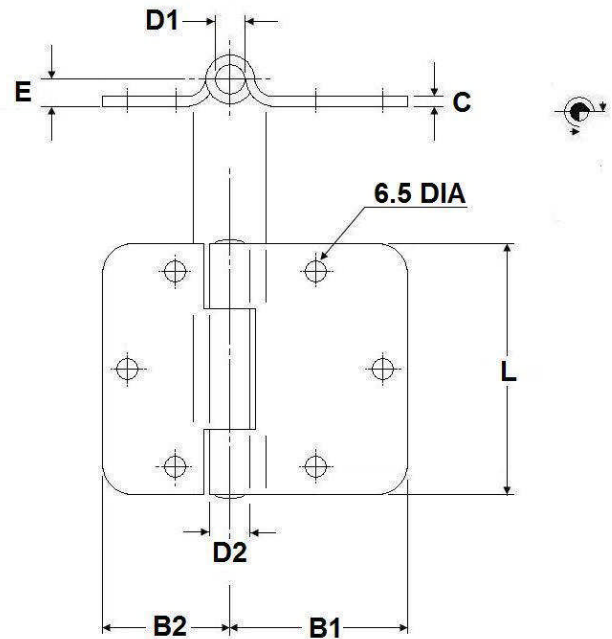
Code no. 36-010
HEAVY DUTY ROLLED HINGES
Unequal butt hinge with holes
with knuckle edge concealed

Options

- Hinge Material steel or stainless steel (ST/ST)
- Pin Material steel or stainless steel



36-010A



36-010AS

Code	Length = L	Thickness = C	Width = B1	Width = B2	Pin Position = E	Pin dia = D1	Knuckle dia = D2	Hinge Material	Pin Material
36-010A	65	4	46	36	8.5	8	16	Steel zinc galvanized	Steel
36-010AS	65	3	46	36	6.5	6	12	ST/ST	ST/ST

Dimensions in mm