

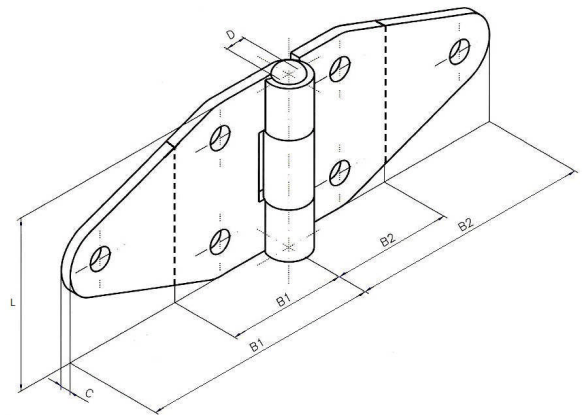
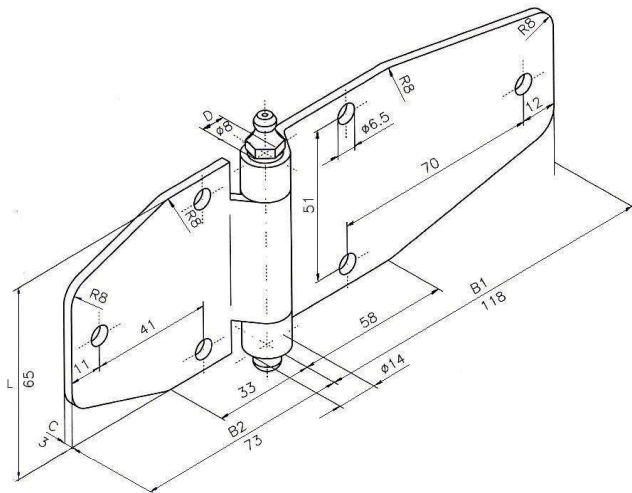


Hinges
Hardware
& Mixers

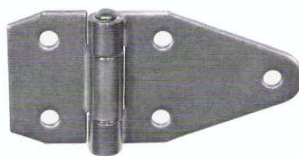
Code no. 40-000
HEAVY DUTY ROLLED AND PRESSED HINGES



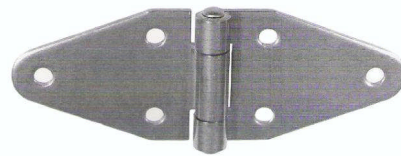
- Options
- Hinge Material galvanised steel, stainless steel
 - Pin Material stainless steel



40-000B



40-000D



40-000E

Code	Length = L	Width = B1/B2	Material thickness = C	Pin dia = D	Hinge Material	Hole No.	Hole dia	Pin Material
40-000A	65	118/73	3	8	Steel	6	6.5	Steel
40-000AS	65	118/73	3	8	ST/ST	6	6.5	ST/ST
40-000B	50	35/35	3	6	ST/ST	4	6.5	ST/ST
40-000C	50	70/35	3	6	ST/ST	5	6.5	ST/ST
40-000D	50	35/70	3	6	ST/ST	5	6.5	ST/ST
40-000E	50	70/70	3	6	ST/ST	6	6.5	ST/ST

Dimensions in mm