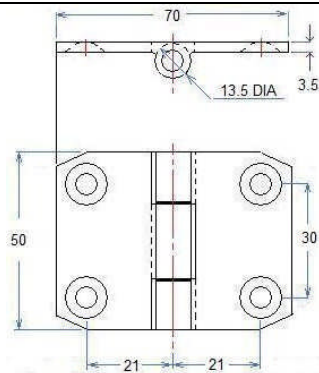


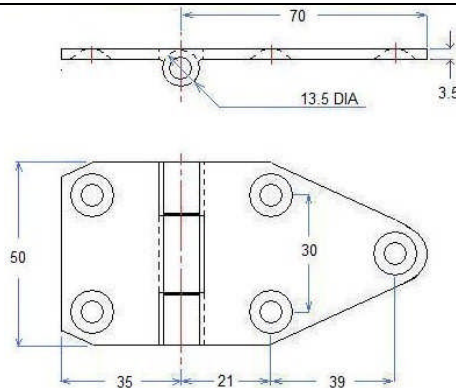
Code no. 57-000
SOLID PROFILE GALVANISED BUTT HINGES

- Maintenance Free Du-Bushing Heat and Cold Resistant
- With or Without Holes



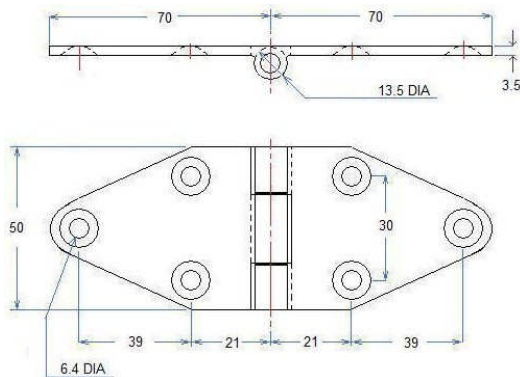
Without holes: **Code no. 57-000A**
With holes: **Code no. 57-000AA**

Material: Steel
Finish: Zinc Galvanised



Without holes: **Code no. 57-000B**
With holes: **Code no. 57-000BB**

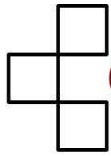
Material: Steel
Finish: Zinc Galvanised



Without holes: **Code no. 57-000C**
With holes: **Code no. 57-000CC**

Material: Steel
Finish: Zinc Galvanised

Dimensions in mm

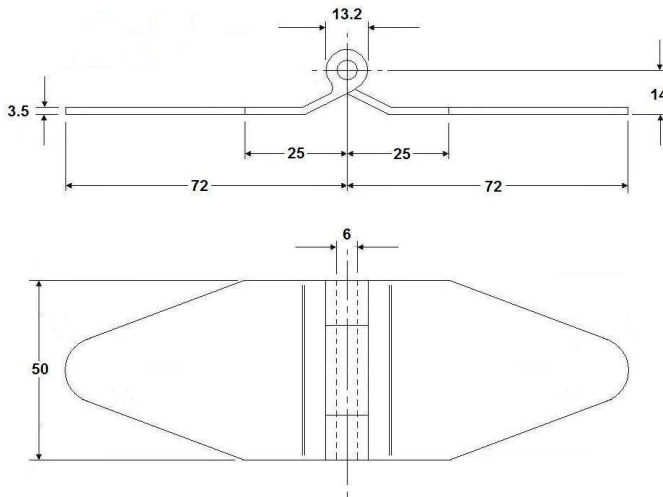


CALMORE

Hinges
Hardware
& Mixers

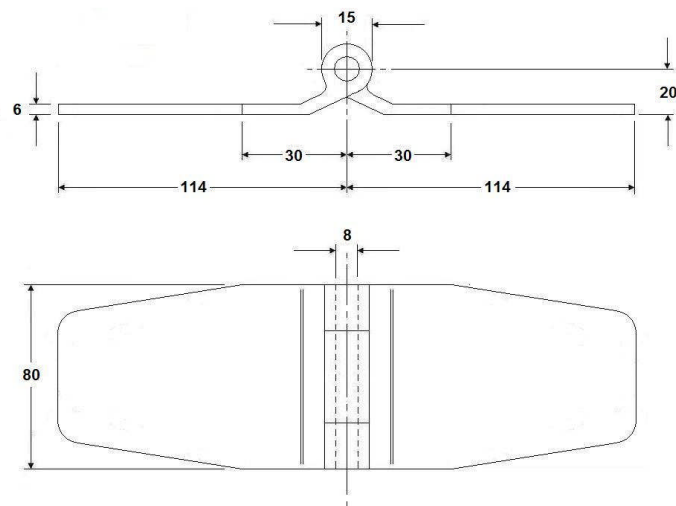
Code no. 57-000 SOLID PROFILE GALVANISED BUTT HINGES

- Maintenance Free Du-Bushing Heat and Cold Resistant
- Without Holes



Without holes: **Code no. 57-000D**

Material: Steel
Finish: Zinc Galvanised



Without holes: **Code no. 57-000E**

Material: Steel
Finish: Zinc Galvanised

Dimensions in mm