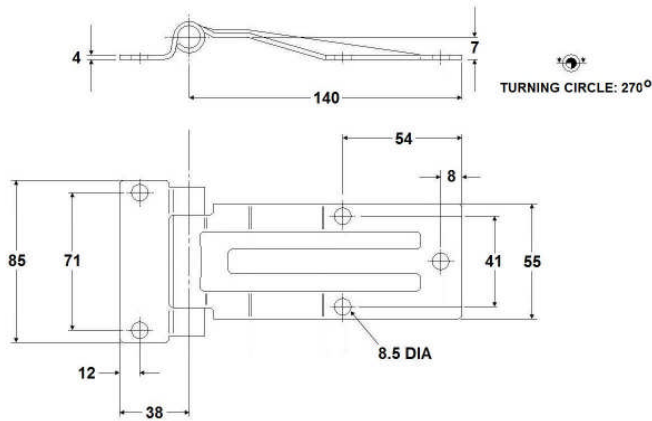




Hinges
Hardware
& Mixers

Code no. 60-082
DOOR HINGES

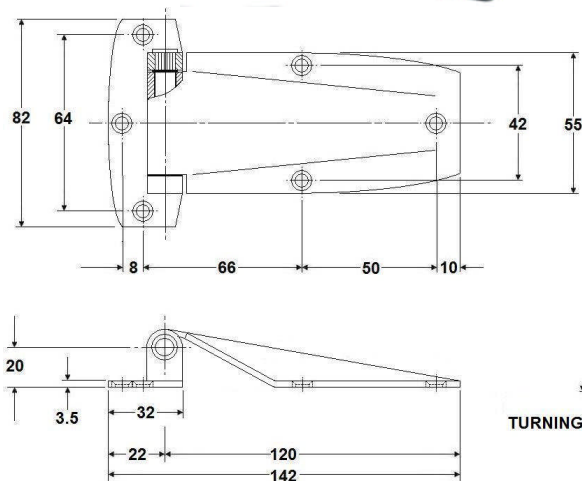


Code no. 60-082A
DOOR HINGE

Stainless steel pressed hinge
with riveted stainless steel pin
With 6 x 8.5mm holes

Weight: 420g
Max load: 150kg

Stainless steel grade 304



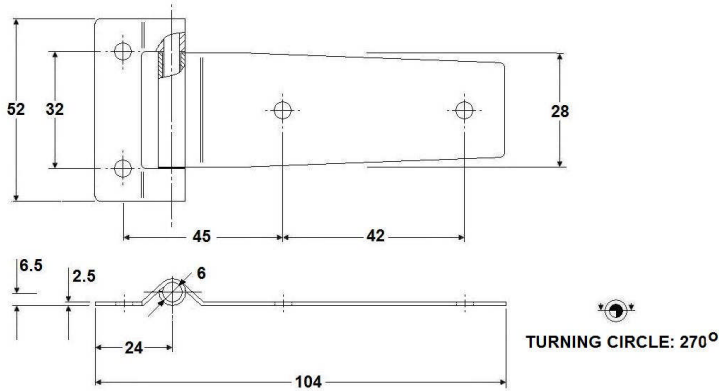
Code no. 60-082B
DOOR HINGE

Stainless steel pressed hinge
with stainless steel pin
With 6 x 6.5mm CSK holes
Left hand or right hand

Weight: 350g

Stainless steel grade 304

Code no. 60-082
DOOR HINGES

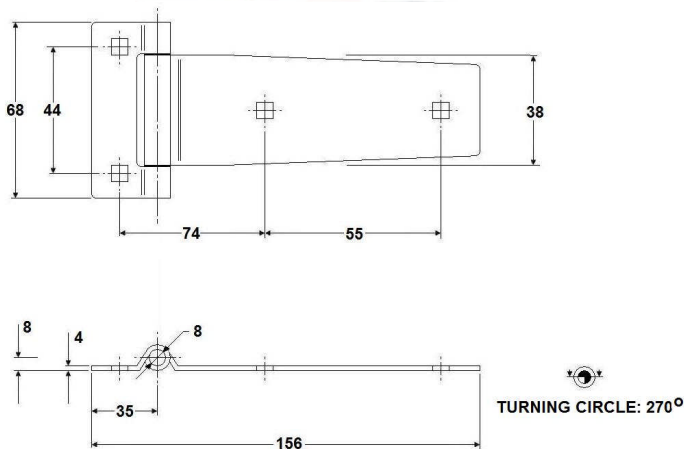
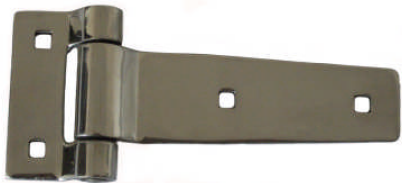


Code no. 60-082C
DOOR HINGE

Stainless steel pressed hinge
with riveted stainless steel pin
With 4 x 5.5mm holes

Weight: 90 g

Stainless steel grade 304



Code no. 60-082D
DOOR HINGE

Stainless steel pressed hinge
with riveted stainless steel pin
With 4 x 6.5 □ holes

Weight: 265 g

Stainless steel grade 304

Dimensions in mm